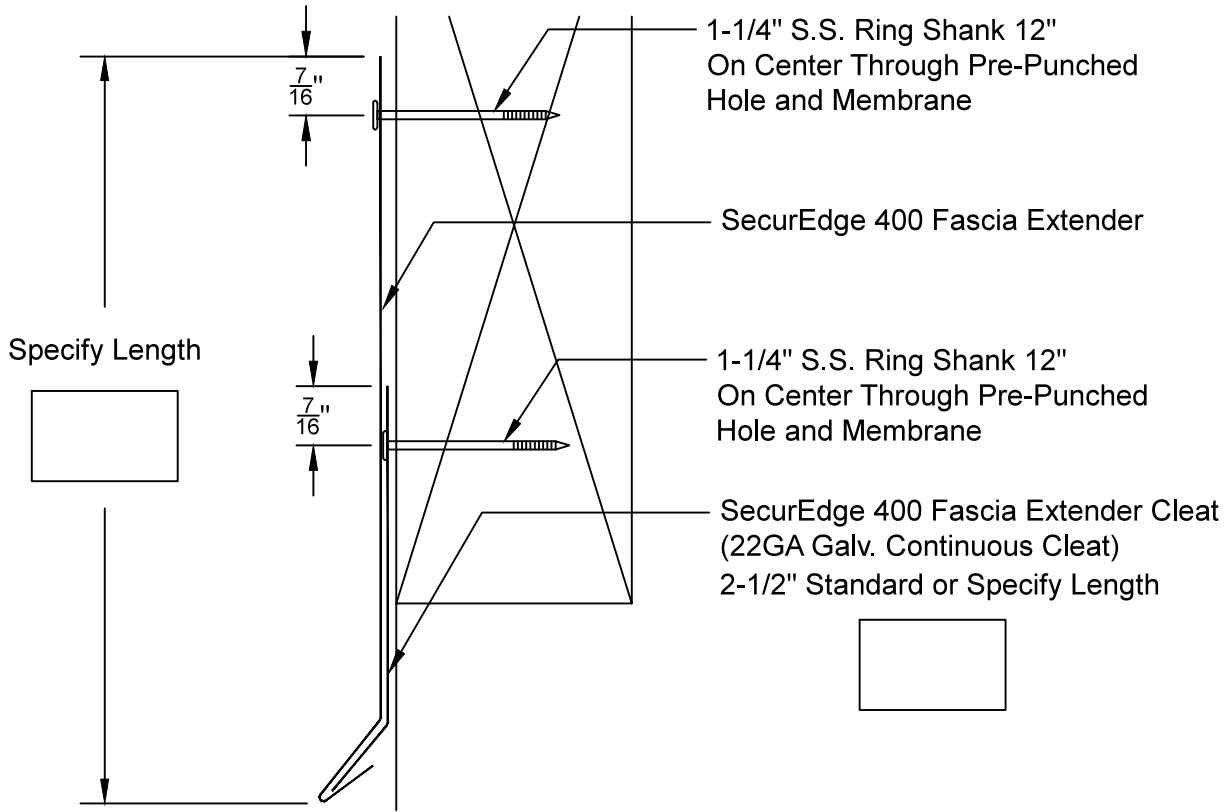


# SecurEdge 400™ Fascia Extender



- Continuous Cleat and fasteners provided.
- Concealed Splice Plates provided.
- Splice Plate Sealant available for extra charge.

## QUANTITIES:

Lineal Feet (10'-0" Lengths\*): \_\_\_\_\_

Outside Miters\*\* : \_\_\_\_\_  Optional Welded (Surcharge Applies)

Inside Miters\*\* : \_\_\_\_\_  Optional Welded (Surcharge Applies)

Right End Caps\*\* : \_\_\_\_\_  Optional Welded (Surcharge Applies)

Left End Caps\*\* : \_\_\_\_\_  Optional Welded (Surcharge Applies)

Splice Plate Tape Sealant:  Optional Sealant (Surcharge Applies)

\* Optional lengths available up to 20'-0"

\*\* Standard riveted

## PRINT APPROVAL:

Architect and/or Contractor shall verify all dimensions, sizes, and quantities, All products to be installed in strict accordance with Carlisle's printed instructions.

Approved By: \_\_\_\_\_

Date: \_\_\_\_\_

PROJECT: \_\_\_\_\_

ARCHITECT: \_\_\_\_\_

ROOFING CONTRACTOR: \_\_\_\_\_

REPRESENTATIVE: \_\_\_\_\_



P: (800) 479-6832 , F: (717) 245-7053 , www.carlislemetalproducts.com

## MATERIAL:

24GA  .040" AL  
 Other: \_\_\_\_\_

Finish: \_\_\_\_\_

Color: \_\_\_\_\_

Effective Date: 4-1-13

Drawn By: J.S.

Approved By: K.L.